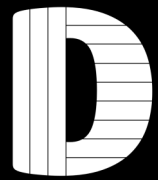


# The Grande Apex Gazebo

## (3600mm x 3600mm)



## Component List

### Frame / Trusses

- 4 x Pergola Corner Posts (92mm x 92mm) 2700mm (A)
- 2 x Profiled Both End Pergola Rafters (92mm x 42mm) 3600mm (B)
- 10 x Truss Beam Profiled One End (92mm x 42mm) 2100mm - Angle Cut (C)
- 5 x Truss Bottom Beam (92mm x 42mm) 3400mm - Angle Cut (D)
- 4 x Side Corner Support Braces (92mm x 42mm) 450mm (E)
- 4 x Front / Rear Corner Support Braces (92mm x 42mm) 580mm (F)
- 5 x Centre Roof Truss Supports (92mm x 42mm) 680mm (G)
- 2 x Roof Truss Connecting Timbers (4" x 1" Sawn Timber) 3145mm (H)

### Front / Rear Cladding

- 2 x Treated Shiplap Cladding (12mm x 120mm) 3805mm (I)
- 2 x Treated Shiplap Cladding (12mm x 120mm) 3310mm (J)
- 2 x Treated Shiplap Cladding (12mm x 120mm) 2815mm (K)
- 2 x Treated Shiplap Cladding (12mm x 120mm) 2305mm (L)
- 2 x Treated Shiplap Cladding (12mm x 120mm) 1805mm (M)
- 2 x Treated Shiplap Cladding (12mm x 120mm) 1280mm (N)
- 2 x Treated Shiplap Cladding (12mm x 120mm) 770mm (O)
- 2 x Treated Shiplap Cladding (12mm x 120mm) 270mm (P)

### Roof

- 36 x Treated Match Board (120mm x 12mm) 3140mm (Q)
- 4 x Roof Edging Trim (57mm x 57mm) 2130mm - Mitre Cut (R)
- 1 x Roof Ridge / Capping (57mm x 57mm) 3300mm (S)

### Tools Required

- Drill Driver
- PZ2 Driver Bit
- T30 Driver Bit
- Pencil
- Hand Saw
- Tape Measure
- Spirit Level

A minimum of two people are required to assemble this gazebo.

# The Grande Apex Gazebo (3600mm x 3600mm)



## Component List Cont'd

### Fixings

1 x Flashing Tape 3145mm	(FIX1)
28 x 75mm Green Screws	(FIX2)
20 x 100mm Wood Screws	(FIX3)
28 x 160mm Wood Screws (Inc T30 Bit)	(FIX4)
266 x 32mm Coated Black Screws	(FIX5)
74 x 40mm Wood Screws	(FIX6)
6 x 50mm Truss Clips	(FIX7)

### Tools Required

Drill Driver  
PZ2 Driver Bit  
T30 Driver Bit  
Pencil  
Hand Saw  
Tape Measure  
Spirit Level

A minimum of two people are required to assemble this gazebo.

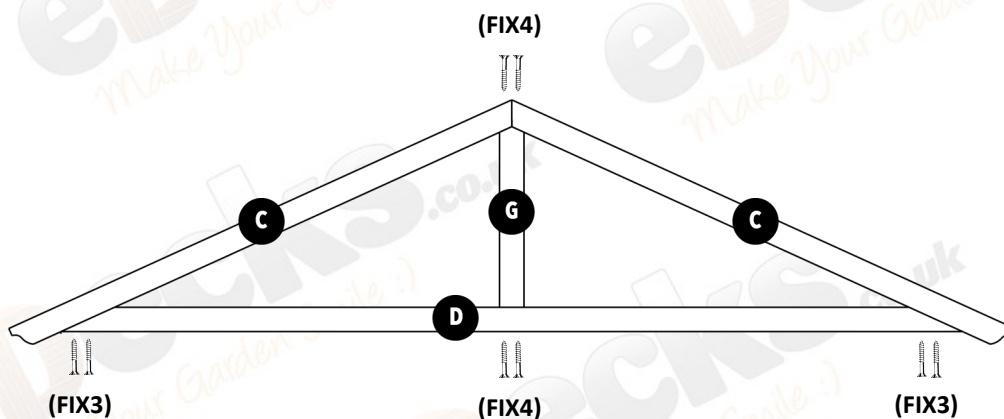
# The Grande Apex Gazebo (3600mm x 3600mm)



## Step 1

To begin your gazebo build the first step is to create the roof trusses, these are created using parts **(C)**, **(D)** and **(G)** as per the below diagram. Parts **(C)** and **(D)** fixed in place using 2 x 100mm Wood Screws **(FIX3)**, the central support **(G)** is fixed in place using 2 x 160mm Wood Screws at each end **(FIX4)**.

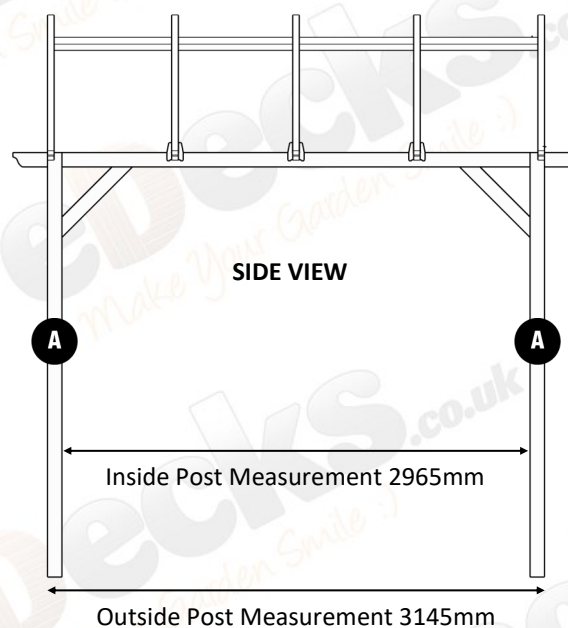
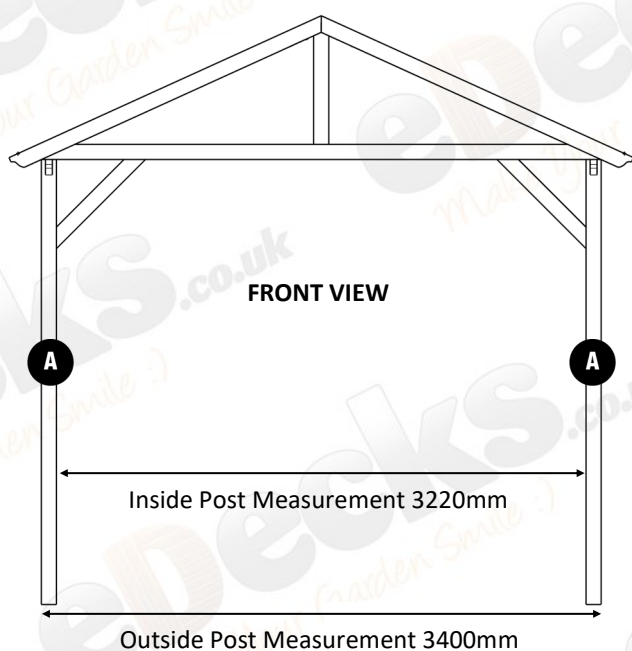
Repeat the process five times and store the assembled trusses to one side for use later on.



## Step 2

Consider the location for your new gazebo carefully before proceeding. Ensure the area is clear and mark out the positions for the four corner posts **(A)**.

The below diagrams show the spacing that should be used when setting out your post positions.



All images are for illustration only. Please see individual item listings for actual item specifications.

Page 3 of 12

# The Grande Apex Gazebo (3600mm x 3600mm)

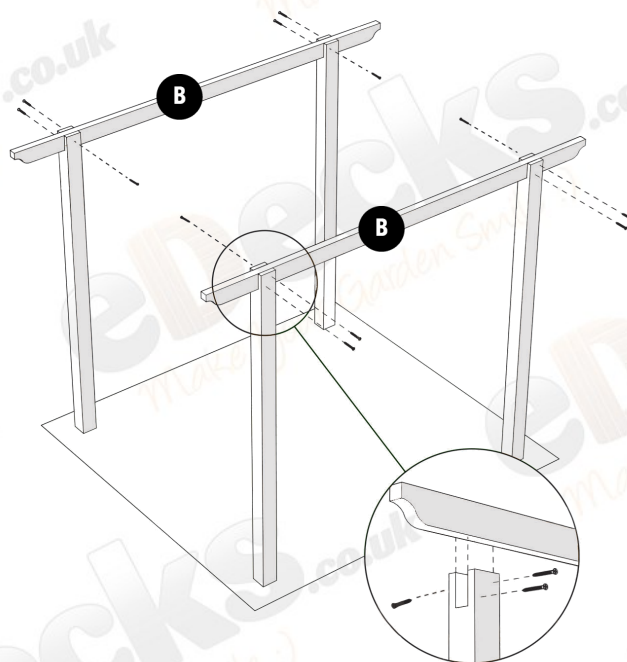


## Step 3

In order to create the frame which the roof trusses will sit on, lift the front to back rafters (**B**) into the notches that have been pre cut in the corner posts (**A**).

Once in position the rafters should have a 200mm overhang at each end.

Secure the rafters into place with 3 x 75mm Green Screws (**FIX2**) for each post.

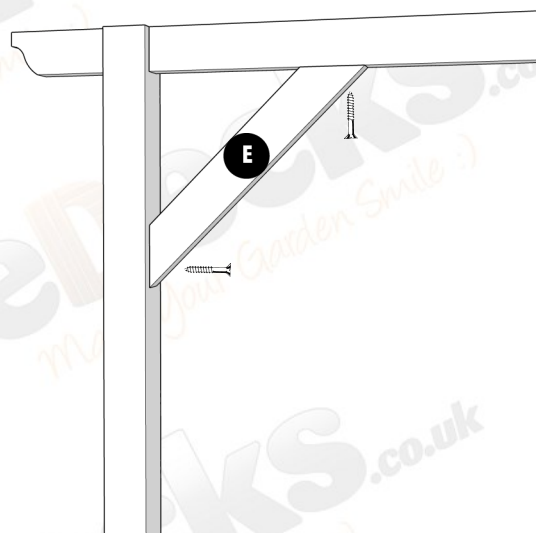


## Step 4

In order to create some initial rigidity, install the Side Corner Support Braces 450mm (**E**) and secure in position using 2 x 75mm Green Screws (**FIX2**).

Repeat this process on all four corners as per the diagram to the right.

In order to prevent the timber splitting, we advise that pilot holes are drilled when installing the corner braces.



# The Grande Apex Gazebo (3600mm x 3600mm)

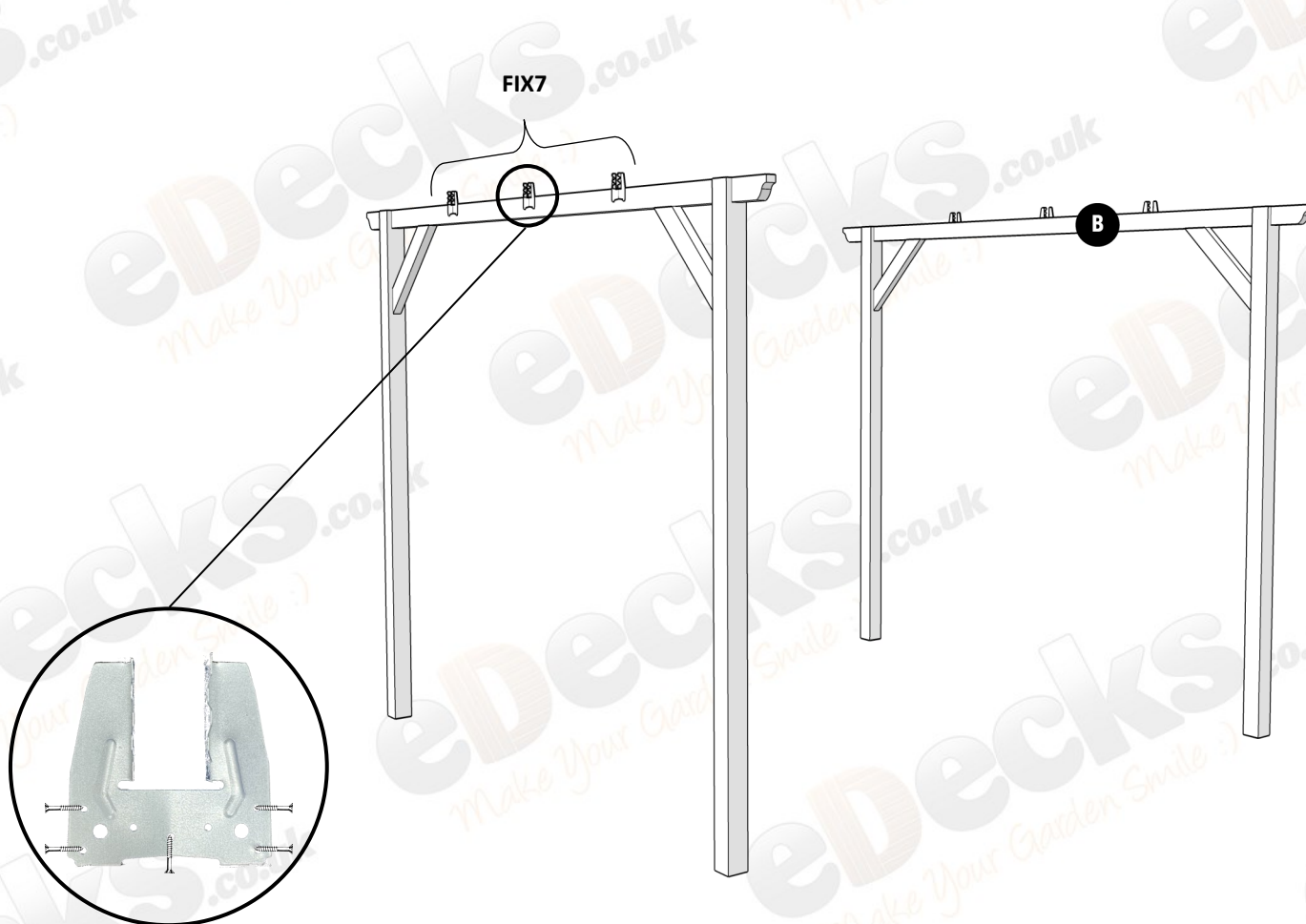


## Step 5

In order to be able to attach the three centre roof trusses that were built in step 1 it is now time to fasten the 50mm truss clips (**FIX7**) onto the frame, these are fastened to the outside face of (**B**) as shown in the diagram to the right and are secured in place using 5 x 40mm Wood Screws (**FIX6**).

Using a tape measure, find the middle point of the side rafters and attach your first truss clip in position.

After this first clip is in place you can then find the mid point between the first clip and the middle of the corner posts, this will then give the fitting locations of the remaining clips and make all five rafters equally spaced when fixed in position.



# The Grande Apex Gazebo (3600mm x 3600mm)



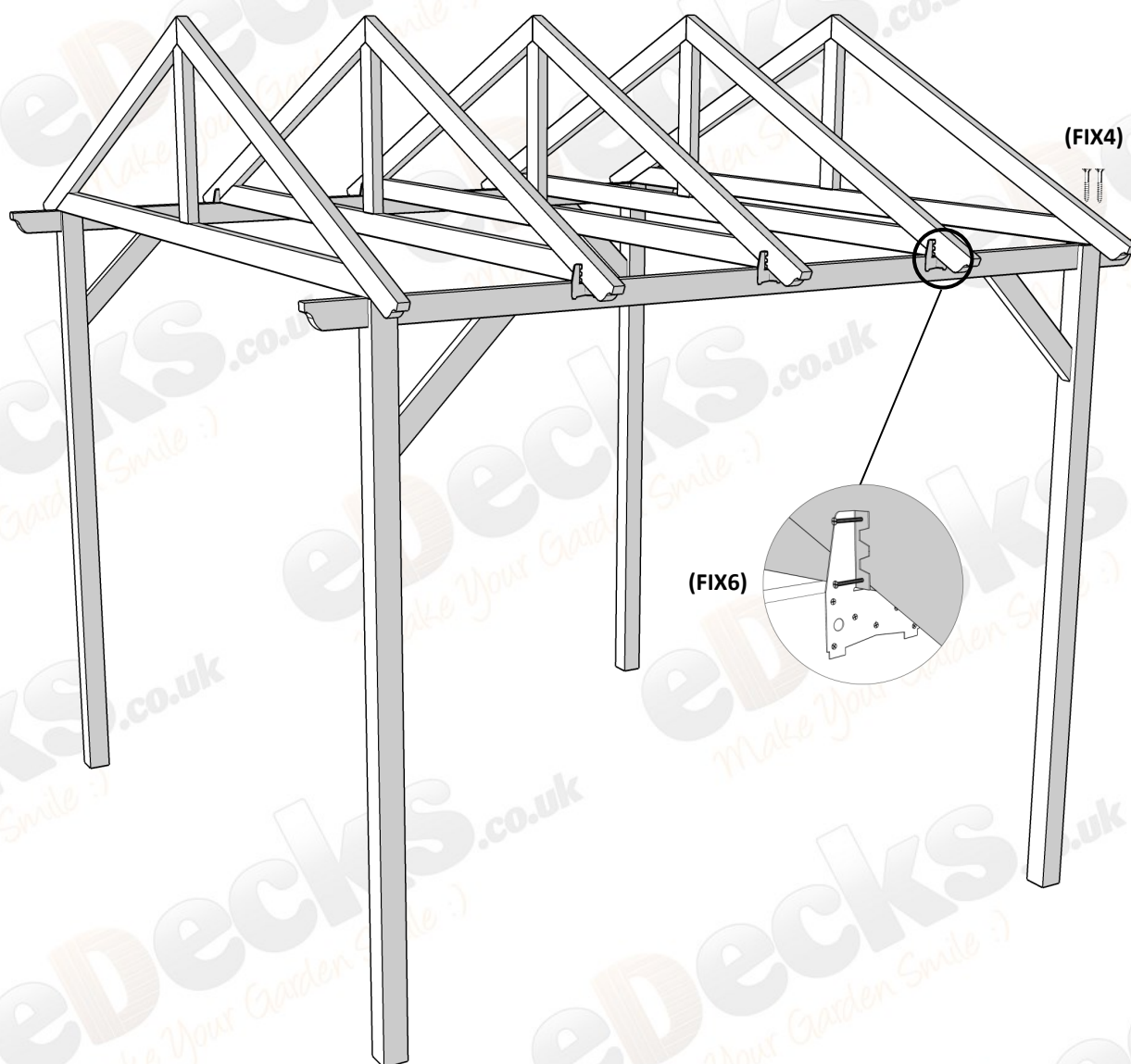
## Step 6

In order to help square up the frame, the front and rear trusses need to be installed first, however since they do not have clips to sit in, they need to be lined up with the front edge of the corner posts and secured using the 2 x 160mm Wood Screws (**FIX4**) per corner driven through the top of the truss rafter and into the frame.

With the front and rear trusses secured in place, lift into position the middle three roof trusses so that they slot into the truss clips installed in the previous step.

Measure when in position to ensure the truss is perfectly centralised with the same amount of overhang at both sides and secure into place using 2 x 40mm Wood Screws (**FIX6**) through the pre drilled holes either side of the truss clip into the roof truss (4 screws total per clip).

**IMPORTANT: This will require a minimum of 2 people, do not attempt alone!**



All images are for illustration only. Please see individual item listings for actual item specifications.

Page 6 of 12

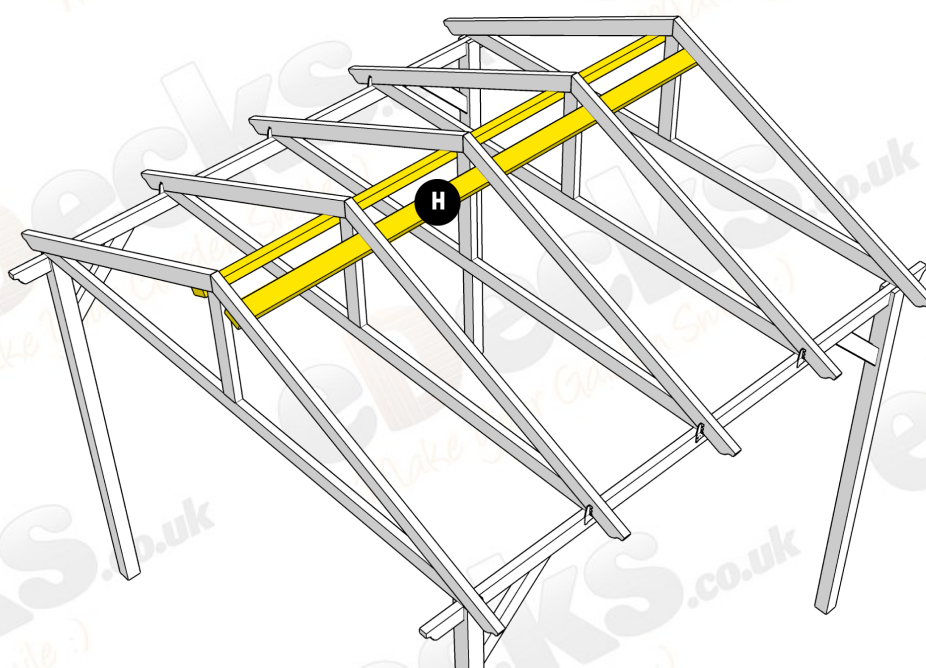
# The Grande Apex Gazebo (3600mm x 3600mm)



## Step 7

To create some longitudinal stability between the trusses it is at this point that the two connecting timbers (**H**) can be attached. These connecting timbers will butt up to the edge of the vertical supports and hold the trusses up straight and eliminate any instability. These pieces are attached using 10 x 40mm Wood Screws (**FIX6**), two into each truss rafter.

Ensure a level is used at all times to ensure the roof is as straight as possible from all angles.

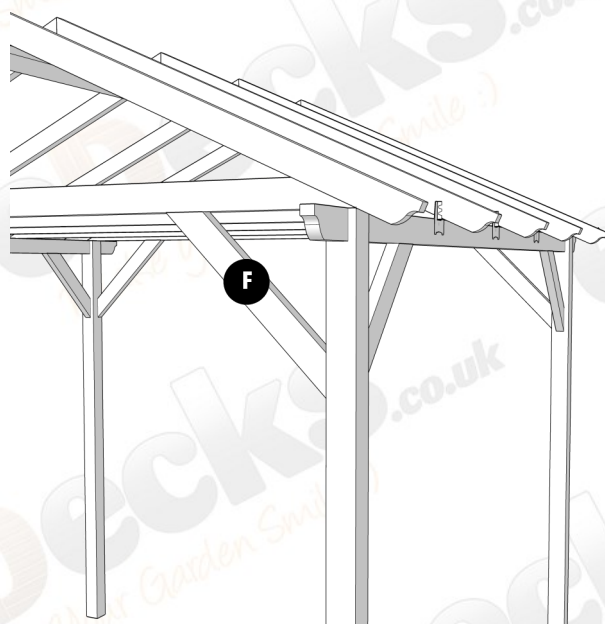


## Step 8

Install the Front / Rear Corner Support Braces 580mm (**F**) and secure in position using 2 x 75mm Green Screws (**FIX2**).

These supports are fastened to the pergola post at the bottom and the roof truss at the top (as per the diagram) and should line up with the side supports which were installed earlier.

In order to prevent the timber splitting, we advise that pilot holes are drilled when installing the corner braces.



# The Grande Apex Gazebo (3600mm x 3600mm)



## Setting Out The Corner Posts

### Step 9

Depending on your kit & post option you will need to follow one of the following options for each of the posts in your kit.

#### Option 1

Excavate holes for the pergola posts. These need to be to a depth of between 300mm and 600mm based on your preferred finished height, then filled with concrete / postmix.

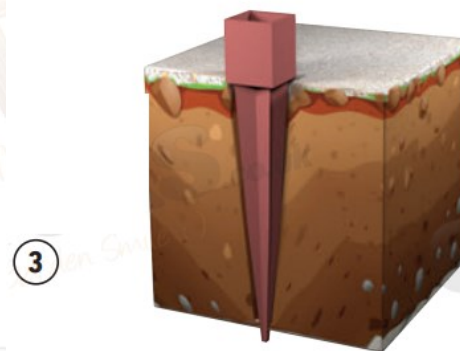
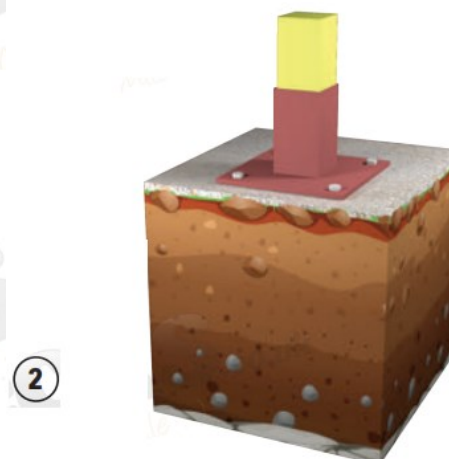
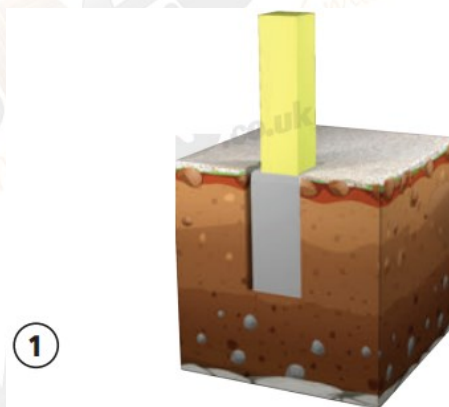
#### Option 2

Bolt Down Anchors - Attach the Bolt Down Anchor to your concrete area, drill an 8mm hole using an SDS drill bit, ensuring the hole depth is 10mm longer than the bolt length to allow for dust. Remove any loose dust and fix the bolt into place through the holes provided in the anchor. Slot your pergola post into the bolt down and tighten the 2 bolts at the side of the anchor to secure whilst making sure the post is straight.

#### Option 3

Steel Spikes - Using the Mett Driving tool and a sledge hammer or something equivalent drive the steel spike into the ground. Once post is in position tighten the 2 bolts on the side of the spike to secure post in place.

**DON'T FORGET TO CHECK YOUR WORK WITH A LEVEL AS YOU GO AS IT IS CRITICAL THAT YOUR POSTS ARE AT EXACTLY THE SAME HEIGHT AND COMPLETELY STRAIGHT!**



All images are for illustration only. Please see individual item listings for actual item specifications.



# The Grande Apex Gazebo (3600mm x 3600mm)



## Step 10

When cladding the front and rear gable ends, the first piece that is fixed in place should be done so at the bottom, fitting flush with the bottom truss rafter, working upward to the roofs peak.

Make sure these are positioned centrally, with the same spacing at both ends.

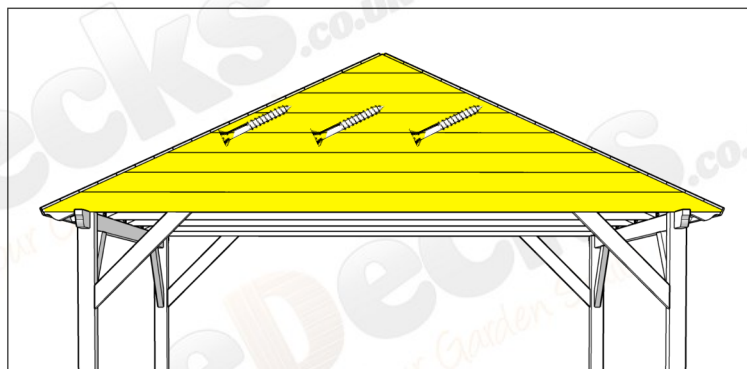
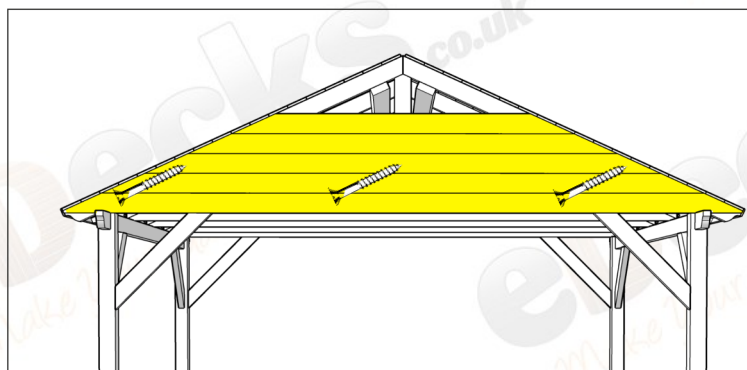
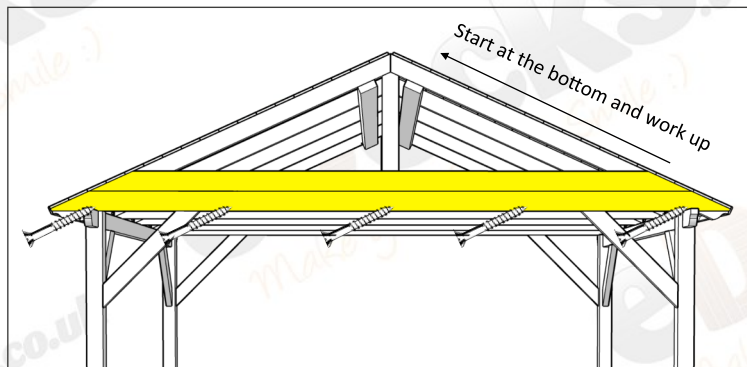
There should be 8 pieces which cover the entire end, these are parts (I) - (P) which get progressively shorter as you move upwards.

This should be self explanatory as to which piece is which as they should fit almost flush to the edges of your roof truss.

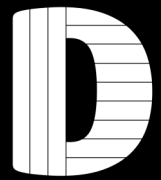
Secure the boards in place using 32mm Coated Black Screws (**FIX5**), one at each end and one into the central upright within the truss frame.

On the bottom piece only, use 5 screws.

All other boards take 3 screws.



# The Grande Apex Gazebo (3600mm x 3600mm)

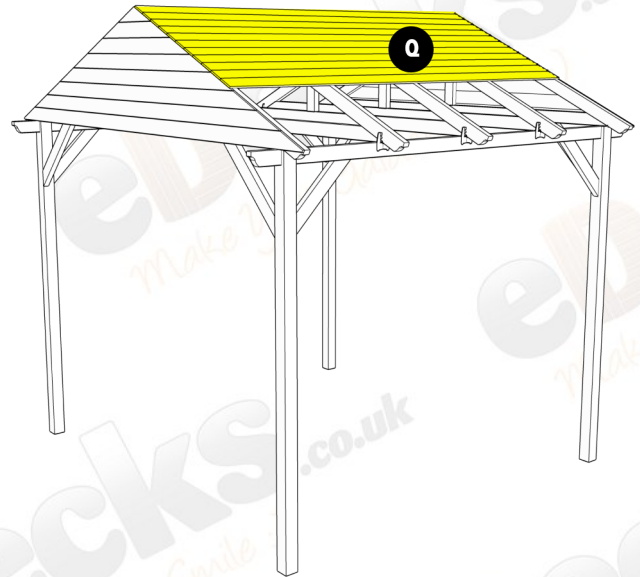


## Step 11

Starting from the apex of the roof frame, lay the first piece of Matchboard roof cladding (**Q**) in to place and secure using 1 x 32mm Coated Black Screw (**FIX5**) in to each truss. Total 5 screws per board.

It is extremely important to get this first piece straight and level as the remaining boards will be slotting into this one as you work down the roof.

Work downwards on one side. In total the roof should take 18 boards per side, with the last board slightly overhanging the bottom of the rafter.



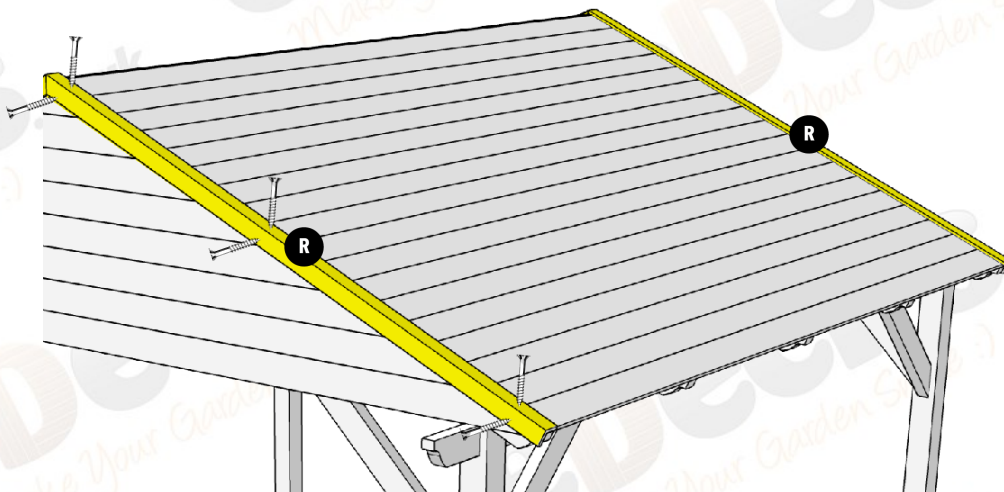
## Step 12

Place your first board (**Q**) at the top of the other side of the roof and fix in place as above.

Now lay the flashing tape (**FIX1**) centrally across the ridge of the roof to create a waterproof base for the ridge capping to sit on top of.

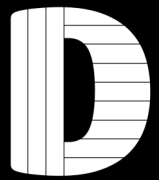
Next, position and fix in to place the two edging trims for the side of the roof that has all boards laid. Note the mitre cut end goes at the roof apex.

These are secured in place using 32mm Coated Black Screw (**FIX5**), one screw at the top, middle and bottom of both faces of the angled edge trim. (6 x total per piece).



All images are for illustration only. Please see individual item listings for actual item specifications.

# The Grande Apex Gazebo (3600mm x 3600mm)

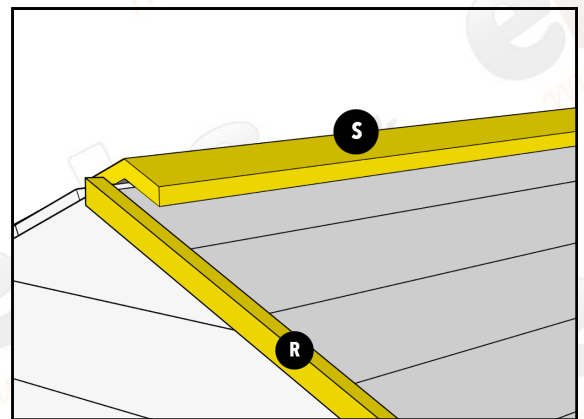
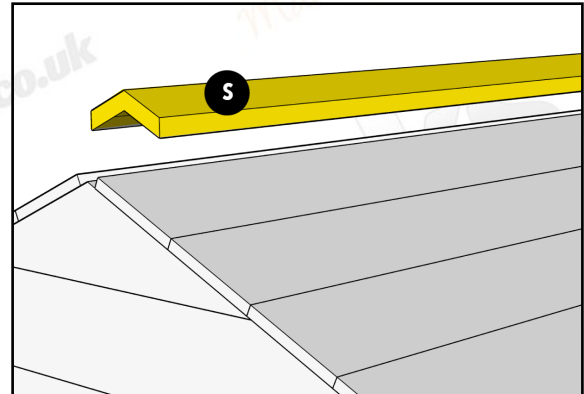


## Step 13

The roof ridge capping (**S**) is fixed in position using 5 x 32mm Coated Black Screw (**FIX5**) on each side of the ridge, fixing into the rafters below. Make sure this is fitted centrally between the edging trims that you fitted in step 12.

*The capping is supplied at 3300mm so will need cutting down with a handsaw to fit within the two edge trims that you've just laid in step 12.*

This should now sit flush with all of the front and rear edge trims (**R**) when the rest are fitted in the next step. This ridge capping will cover any gap between the two roof sides where they meet.

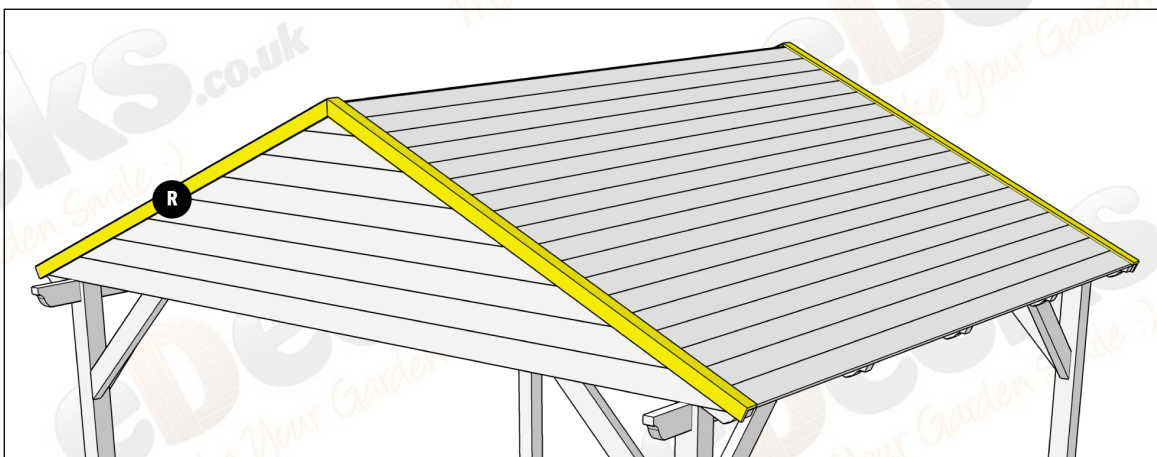


## Step 14

The final step is to finish the front and rear by adding the remaining 2 x roof edge trims (**R**).

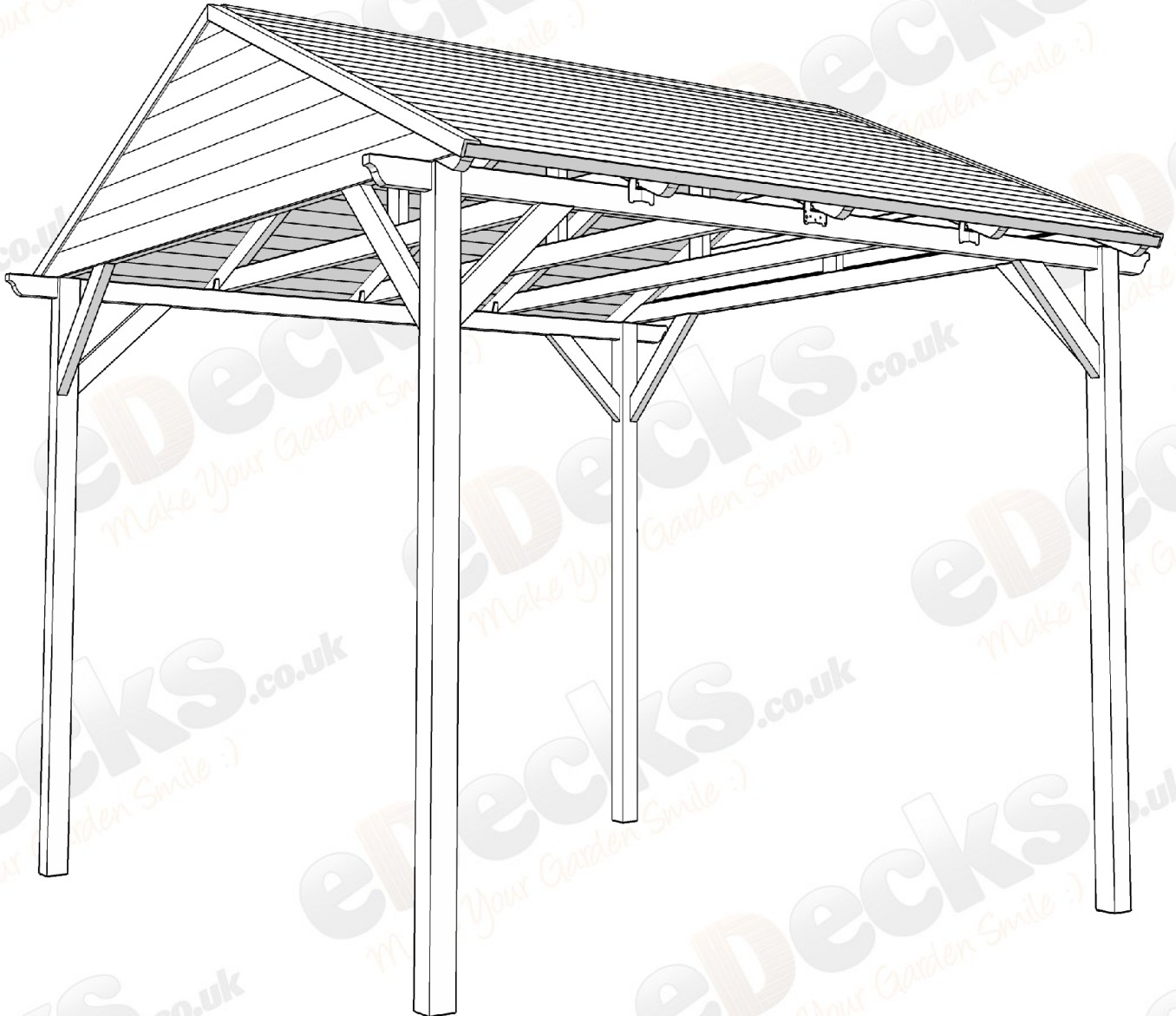
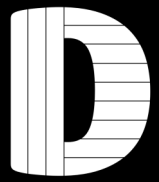
These are secured in place using 32mm Coated Black Screw (**FIX5**), one screw at the top, middle and bottom on both faces of the edge trim (6 x total per piece).

There will be a small overhang on the edge trims (**R**) of approx. 20mm that you can trim flush with a handsaw should you wish.



All images are for illustration only. Please see individual item listings for actual item specifications.

# The Grande Apex Gazebo (3600mm x 3600mm)



**Enjoy your new Grande Apex Gazebo!**

All images are for illustration only. Please see individual item listings for actual item specifications.

Page 12 of 12